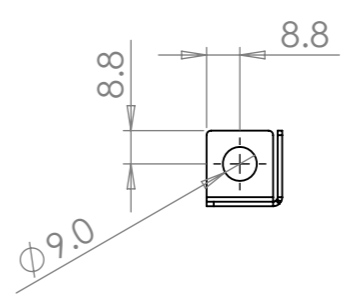
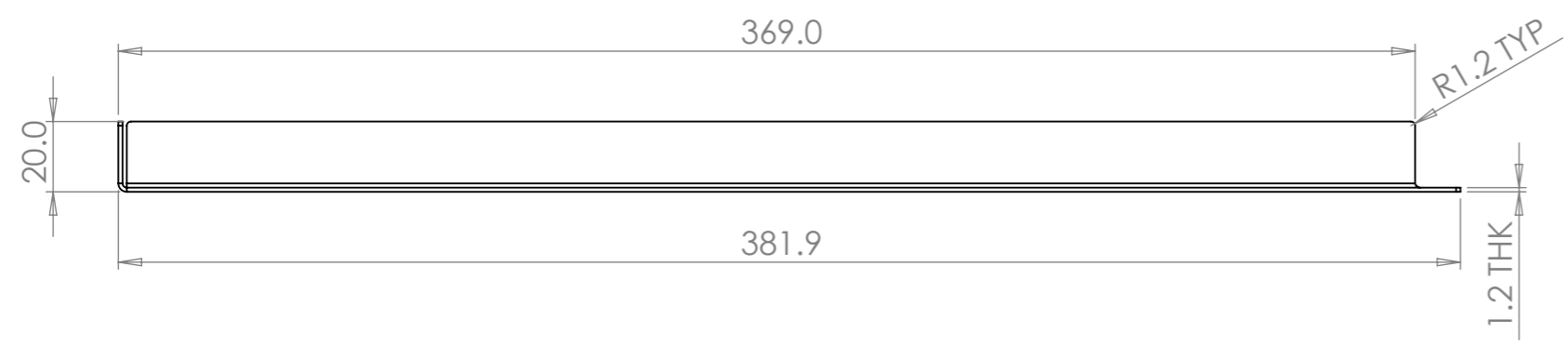
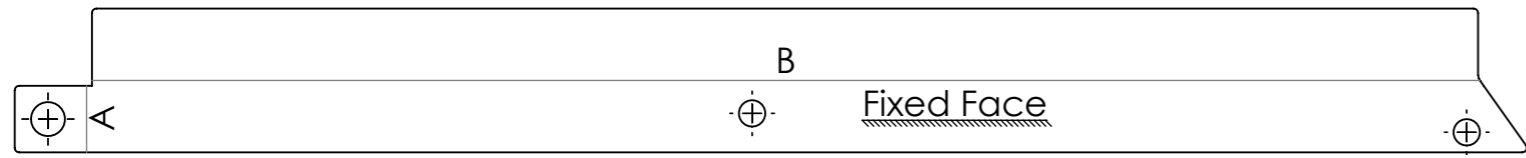


ISO VIEW 1:2




Tag	Direction	Angle	Inner Radius
A	UP	90°	1.2
B	UP	90°	1.2



FLAT PATTERN 1:2

A		04/03/2025	DJB		
REV	MODIFICATION	DATE	DR'N	CH'D	AP'D


Daniel-Barker.com

GENERAL DIMENSIONAL TOLS.
 X±0.5 X.X±0.25 X.XX±0.1
 ANGULAR DIMENSION ±1.0°
 UNLESS OTHERWISE STATED
 MACHINING SHOWN THUS
 REMOVE ALL BURRS & SHARP EDGES

MATERIAL 1.2mm MILD STEEL		FINISH PAINTED	
TITLE TABLE TOP SUPPORT RIGHT			
SIZE A3	SCALE 1:2	SHT 1 OF 1	PART NUMBER prd-DJB-00000640